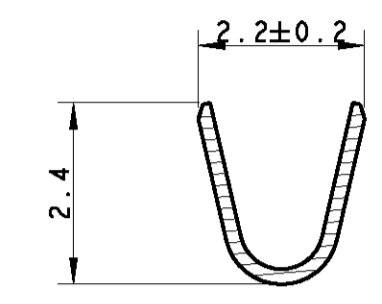
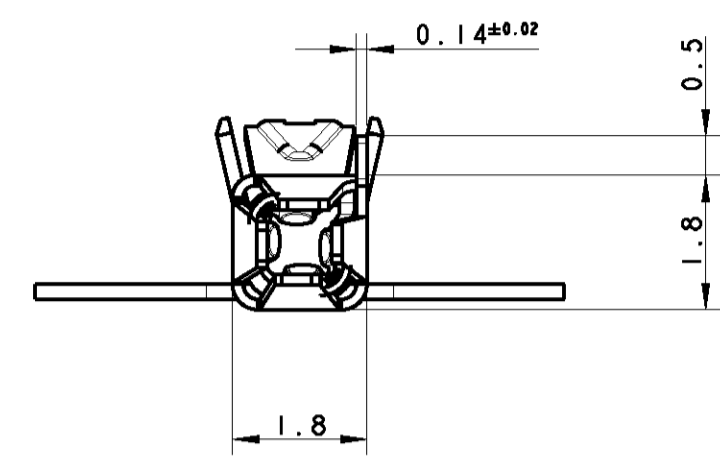
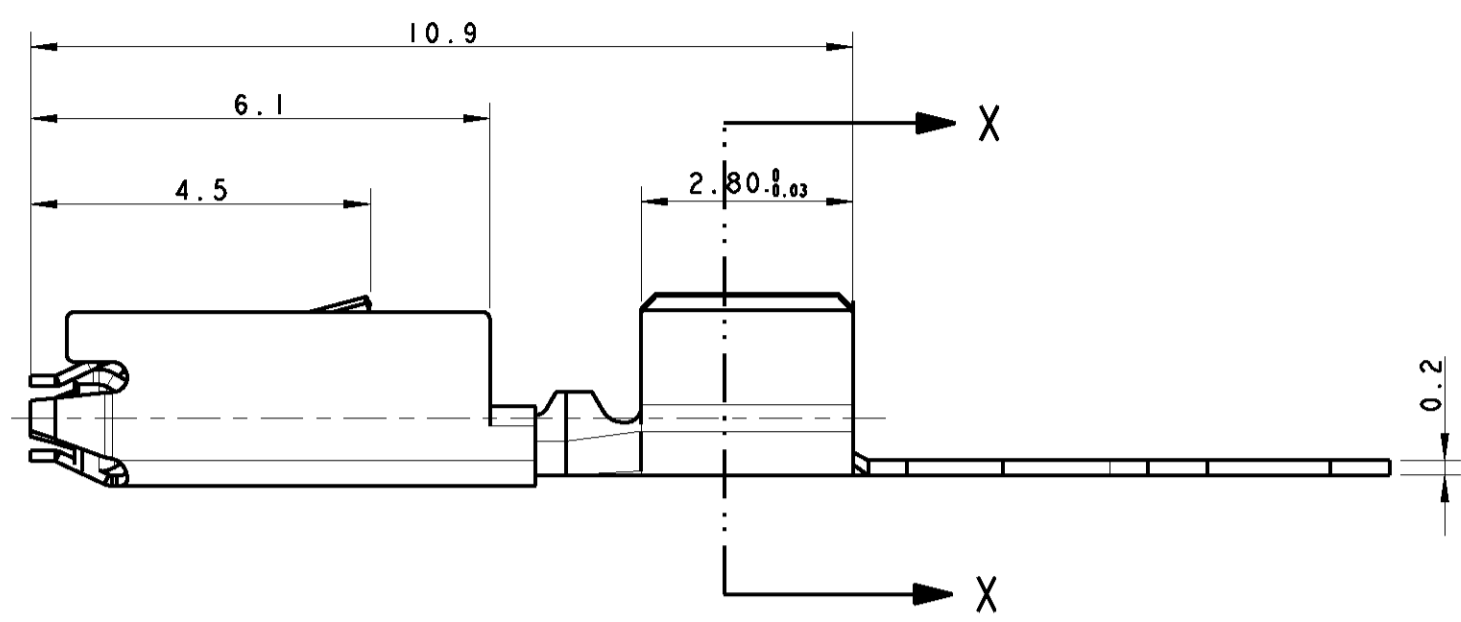
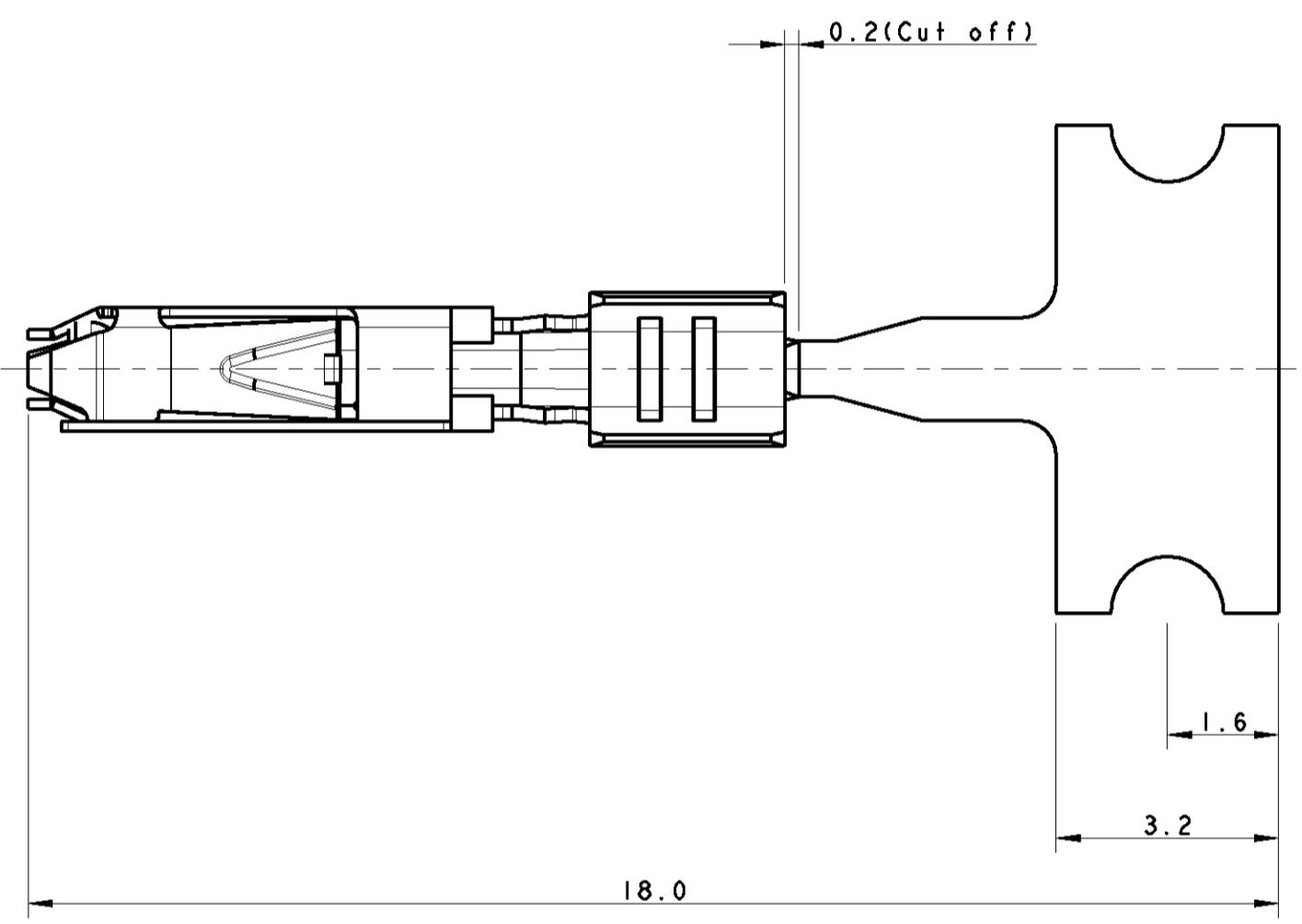


THIS DRAWING IS UNPUBLISHED. RELEASED FOR PUBLICATION 2009  
 © COPYRIGHT 2009 BY TYCO ELECTRONICS CORPORATION. ALL INTERNATIONAL RIGHTS RESERVED.

LOC	DIST	REVISIONS			
P	LTR	DESCRIPTION	DATE	DWN	APVD
A		FIRST ISSUE	12FEB2009	AV	GT
C		UPDATED PART REVISION	24FEB2011	AV	GT

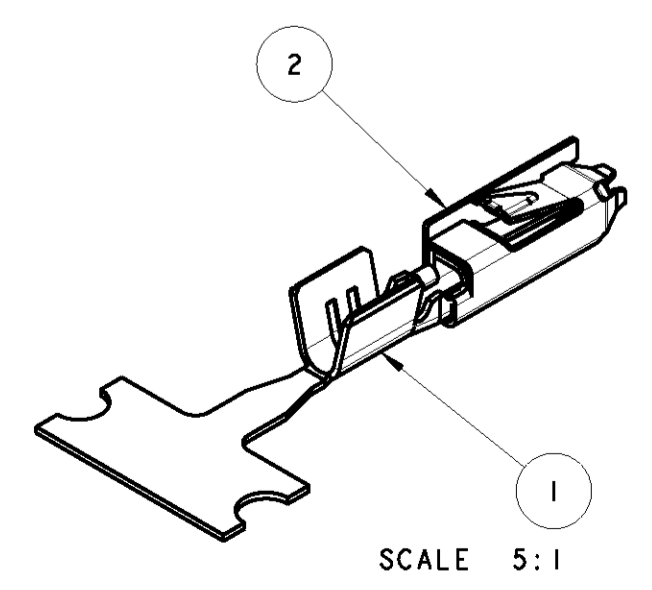


SECTION X - X



NOTES:

- SUITABLE FOR SOCKET CONTACT 293389
- CONTACT ACCEPTS WIRE SIZE 18 AWG
- SEMI-AUTOMATIC TOOL AND HAND TOOL (EACH FOR 2 CRIMPS IN ONE CYCLE) TO BE DEVELOPED
- STRIPPED CABLE LENGTH FOR CRIMP IS 3.5mm
- WEIGHT ABOUT 0.12g
- DIE FEED 7.0mm
- REELED ON PAPER-REEL



SCALE 5:1

8	NOT AVAILABLE	293390-1	C	2	SPRING	A	STEEL		
				1	BODY	B	CuNiSi AMP-Spec. 100-1230 or 112-18011	TIN PLATED	
DIRECTION OFF TOP OF REEL	LOOSE PIECE	PART NO	REV	POS	DESCRIPTION	REV	MATERIAL	FINISH	
THIS DRAWING IS A CONTROLLED DOCUMENT FOR TYCO ELECTRONICS CORPORATION. IT IS SUBJECT TO CHANGE AND THE CONTROLLING ENGINEERING ORGANIZATION SHOULD BE CONTACTED FOR THE LATEST REVISION.									
DIMENSIONS: mm			TOLERANCES UNLESS OTHERWISE SPECIFIED:			DWN 12FEB2009 A. Vecchia CHK 12FEB2009 G. Turco APVD 12FEB2009 G. Turco			
0 PLC ± 1 PLC ±0.2 2 PLC ±0.15 3 PLC ± 4 PLC ± ANGLES ±° FINISH			PRODUCT SPEC 108-20294 APPLICATION SPEC 114-20140 WEIGHT 0.12g			Tyco Electronics Tyco Electronics AMP Italia S.r.l. 10093 Collegno TO			
MATERIAL SEE TABLE			CUSTOMER DRAWING			MICRO QUADLOK SYSTEM SOCKET CONTACT NAME: - SIZE: A2 CAGE CODE: 200779 DRAWING NO: C-293390 RESTRICTED TO: -			
DIRECTION OFF TOP OF REEL							SCALE 10:1	SHEET 1 OF 1	REV C